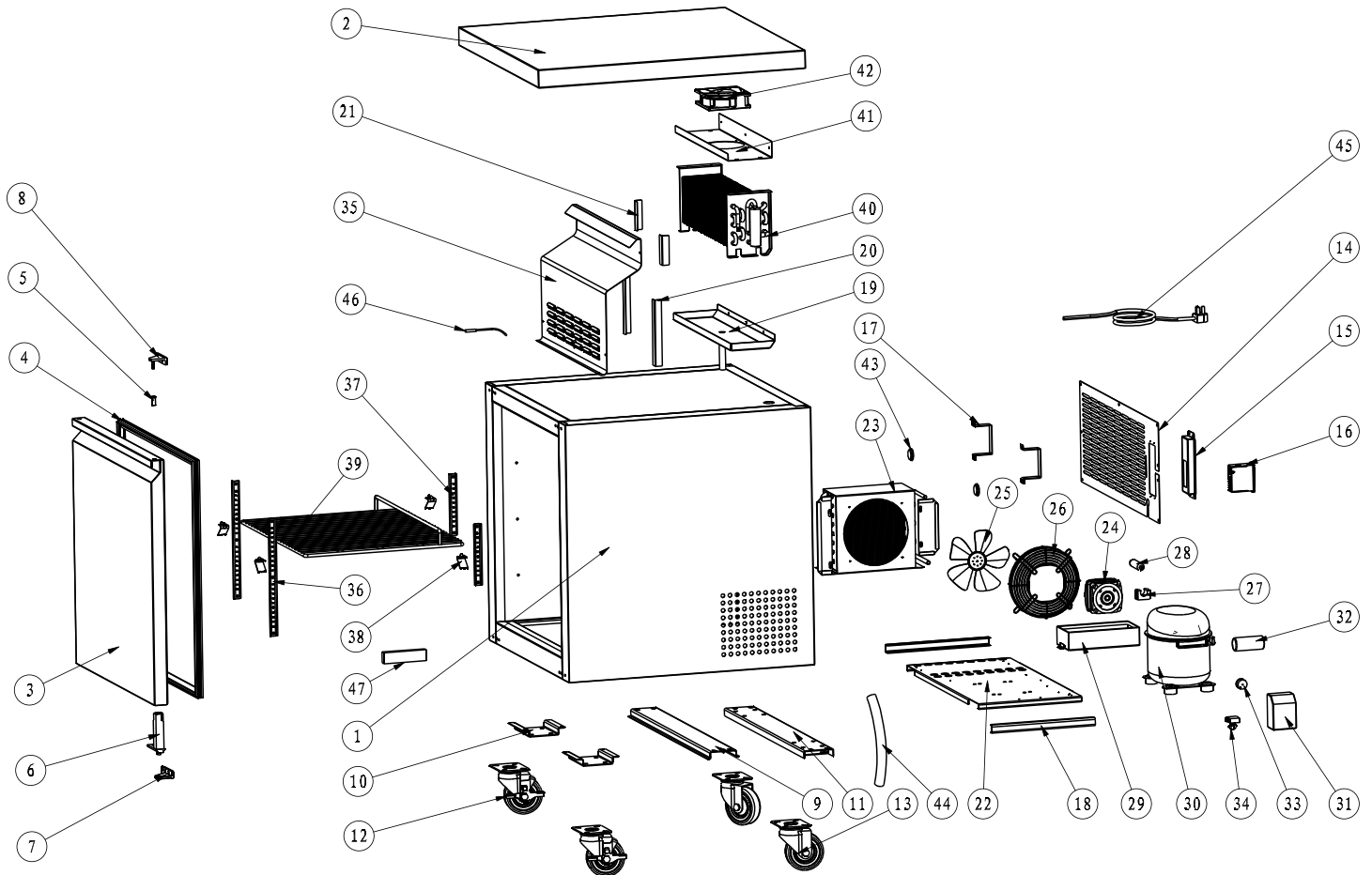


Parts Breakdown

Model RE-CN-0006-BS-HC 50095





Parts Breakdown

Model RE-CN-0006-BS-HC 50095

Item No.	Description	Position	Item No.	Description	Position	Item No.	Description	Position
AF730	Cabinet for 50095	1	27185	Carel Temperature Controller PYGX1Z0501 for 50095	16	AF741	Evaporator Cover for 50095	35
AM691	Top Board for 50095	2	AF080	Stand Off Bracket for 50095	17	AF090	K Strip-3 Holes for 50095	36
AF732	Door for 50095	3	AF085	Compressor Unit Track for 50095	18	AF089	K Strip-2 Holes for 50095	37
AB146	Gasket for 50095	4	AF737	Inner Drain Pan for 50095	19	26884	K Clip for 50095	38
AA388	Axis Cover for 50095	5	AF738	Evaporator Cover Sticker for 50095	20	AB166	Shelf for 50095	39
AA955	Left/Right Spring Hinge for 50095	6	AF739	Evaporator Cover Sticker for 50095	21	AB167	Evaporator for 50095	40
AA360	Hinge T for 50095	7	AF086	Compressor Unit Installation Board for 50095	22	AF742	Fan Motor Installation Board for 50095	41
AF070	Hinge X for 50095	8	AB159	Condenser for 50095	23	AE901	Evaporator Fan Motor for 50095	42
AF733	Castor Support B for 50095	9	AF030	Evaporator Fan Motor for 50095	24	AB169	Foaming Hole Cover for 50095	43
AF734	Castor Support C for 50095	10	AA208	Condenser Fan Blade for 50095	25	AA133	Drain Hose for 50095	44
AF735	Castor Support A for 50095	11	AA207	Condenser Fan Motor Cover for 50095	26	AA135	Power Cord for 50095	45
26246	Caster with Brake for 50095	12	AB595	Filter Fixer for 50095	27	AA379	Temperature Probe for 50095	46
26247	Caster without Brake for 50095	13	AB594	Filter D25x160-B for 50095	28	AA596	Thermometer for 50095	47
AF736	Back Grill for 50095	14	AF087	Outer Drain Pan for 50095	29			
AB320	Thermostat Installation Board for 50095	15	AF740	Compressor for 50095	30			